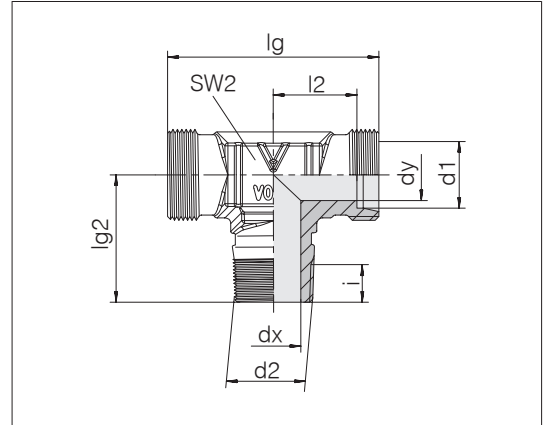


Male stud branch tees

Male thread: BSPT thread, tapered
 Threaded stud: DIN 3852-2 Form C
 Sealing type: Tapered thread
 Sealing material: e.g. PTFE sealing tape

Tube coupling: 24° in acc. with ISO 8434-1



Series	d2	Pressure	dx	dy	lg	lg2	l2	SW2	i	kg/100 ca.	Order-No.	Designation	
LL	4	R 1/8 PN 100	4	3	30	17	11	9	6.2	1.3	0729002000	24-SDT-LL4-R1/8T	¹⁾
LL	6	R 1/8 PN 100	4.5	4.5	30	17	9.5	9	6.2	1.2	0729102000	24-SDT-LL6-R1/8T	¹⁾
LL	8	R 1/8 PN 100	6	6	34	20	11.5	12	6.2	2.7	0729152000	24-SDT-LL8-R1/8T-P	¹⁾
L	6	R 1/8 PN 315	4	4	38	20	12	12	6.2	3.6	0730002000	24-SDT-L6-R1/8T-P	¹⁾
L	8	R 1/4 PN 315	6	6	42	26	14	14	9.3	5.8	0730052000	24-SDT-L8-R1/4T-P	¹⁾
L	10	R 1/4 PN 315	7	8	44	27	15	17	9.3	7.2	0730102000	24-SDT-L10-R1/4T-P	¹⁾
L	12	R 1/4 PN 315	7	9	48	28	17	19	9.3	10.2	0730162000	24-SDT-L12-R1/4T-P	¹⁾
L	12	R 3/8 PN 315	9	10	48	28	17	19	9.3	10.0	0730152000	24-SDT-L12-R3/8T-P	¹⁾
L	15	R 1/2 PN 315	11	12	56	34	21	19	10.4	11.6	0730202000	24-SDT-L15-R1/2T	¹⁾
L	18	R 1/2 PN 315	14	15	62	36	23.5	24	10.4	15.7	0730252000	24-SDT-L18-R1/2T	¹⁾
S	6	R 1/4 PB 630	4	4	46	26	16	14	9.3	7.1	0730502000	24-SDT-S6-R1/4T-P	¹⁾
S	8	R 1/4 PB 630	5	5	48	27	17	17	9.3	9.2	0730552000	24-SDT-S8-R1/4T-P	¹⁾
S	10	R 3/8 PB 630	7	7	50	28	17.5	19	9.3	12.1	0730602000	24-SDT-S10-R3/8T-P	¹⁾
S	12	R 3/8 PB 630	8	8	58	28	21.5	22	9.3	16.3	0730652000	24-SDT-S12-R3/8T-P	¹⁾
S	14	R 1/2 PB 630	10	10	60	32	22	19	10.4	13.8	0730702000	24-SDT-S14-R1/2T	¹⁾
S	16	R 1/2 PB 400	12	12	66	32	24.5	24	10.4	18.5	0730752000	24-SDT-S16-R1/2T	¹⁾

¹⁾ Standard size

Threaded stud in acc. with DIN 3852-2 Form C are approved for use for gas supply in accordance with DIN 3387-1.

Operating pressure PB 630 only applies if holes with female conical threads are available.

Example for comp. : TE06LRX DIN 2353-NL6-St